

NAO35X55X20-XL

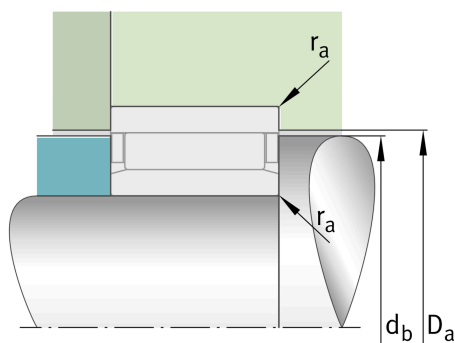
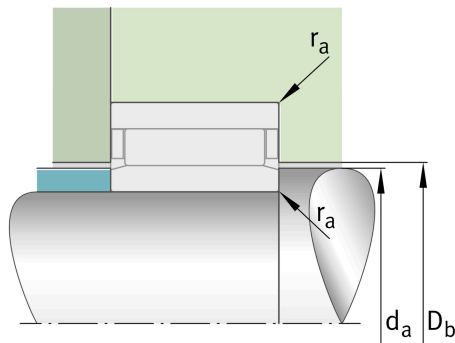
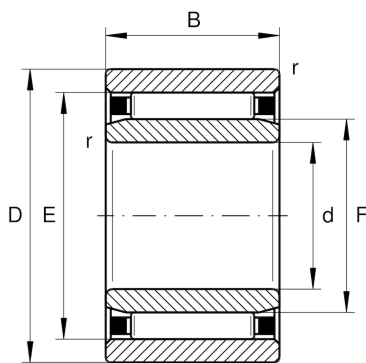
Needle roller bearing

Schaeffler ID:
0507781370000

Needle roller bearings NAO, without ribs

X-life

Technical information



Main Dimensions & Performance Data

d	35 mm	Bore diameter
D	55 mm	Outside diameter
B	20 mm	Width
C_r	37,000 N	Basic dynamic load rating, radial
C_{0r}	57,000 N	Basic static load rating, radial
C_{ur}	9,100 N	Fatigue load limit, radial
n_G	11,300 1/min	Limiting speed
n_{gr}	6,200 1/min	Reference speed
	186.5 g	Weight

Mounting dimensions

d_a	39.5 mm	Mounting dimension
D_b	40.6 mm	Shoulder diameter axial guidance NK/housing
d_b	46.2 mm	Shoulder diameter axial guidance NK/shaft
D_a	47.5 mm	Shoulder diameter outer ring
$r_{a \max}$	0.3 mm	Maximum recess radius

Dimensions

F	40 mm	Raceway diameter inner ring
E	47 mm	Raceway diameter outer ring
r_{\min}	0.3 mm	Minimum chamfer dimension
s	0.8 mm	Axial displacement

Temperature range

T_{\min}	-30 °C	Operating temperature min.
T_{\max}	120 °C	Operating temperature max.

